

Hydro hygienic cyclone

The quality and value of the final starch product is largely determined by the washing of the crude starch. White high-quality starch can be obtained only if fiber fragments, lipids, proteins and dissolved substances are washed out efficiently. Process steps in this stage are a multi-stage washing process, fine fiber separation and starch recovery from wash water.

Multi-stage washing process

The starch is washed by concentrating diluted starch in suspension and diluting it again with clearer water. In this way, contaminants are removed.

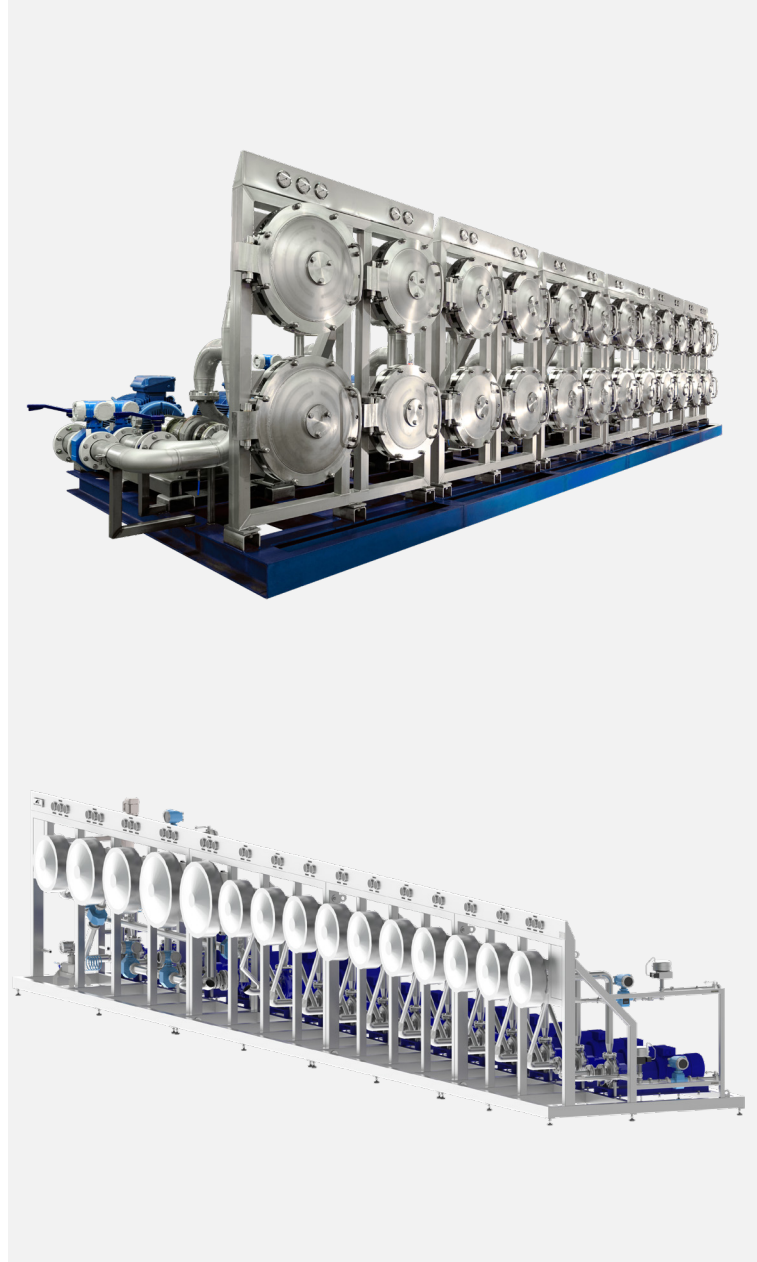
By using a counter-current flow principle, the amount of fresh water used is small. After this multi-stage process, almost all contaminants are washed out. Among the applications of the SiccaDania Hydro cyclone unit are concentration, peeler starch recovery and refining and washing of suspension.

State-of-the-art mechanical design

- No internal leakage: optimal sealing construction
- Pumps: Single mechanical seal with internal flush
- High wear resistant cyclonettes
- Compact design: serial and stacked
- Superior operation, service & maintenance optimal cleaning simplicity without removal of inner body
- Full capacity flexibility

Broad range of applications

- Concentration
- Peeler starch recovery
- Refining and washing of suspensions



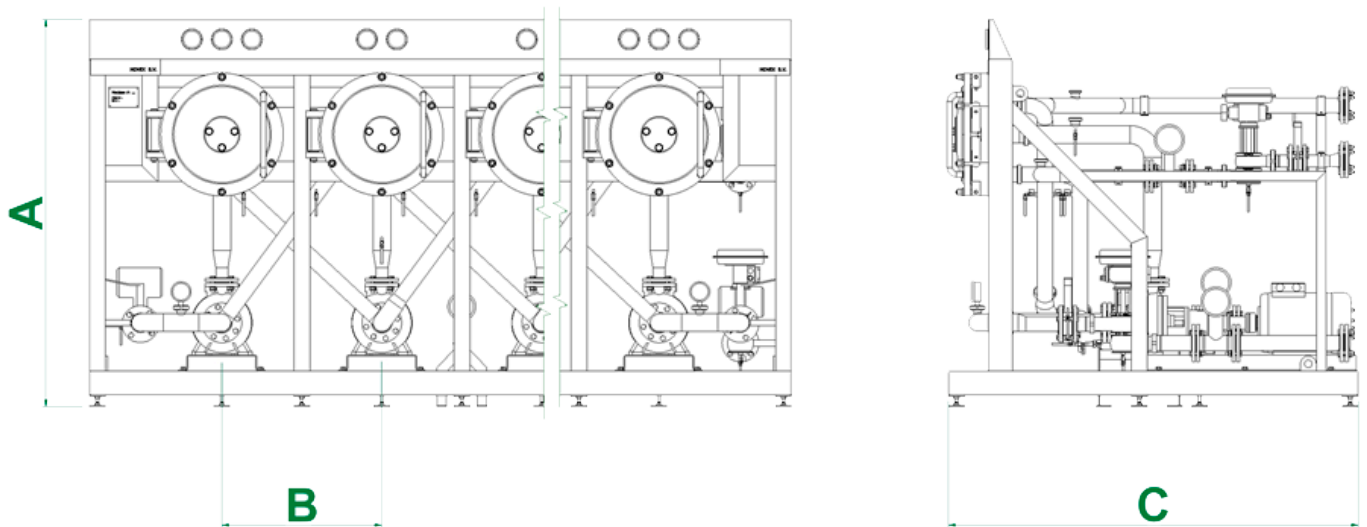
Excellent performance

- High & equal liquid speed
- Ultra high outlet concentration (>23Be)
- Excellent starch yield
- Superior starch purity
- Low energy consumption
- Minimum down time
- Cleaning-In-Place (CIP)

Full stainless steel

- Sustainability & long lifetime

Technical data



Model	HCH 300*	HCH 400*	HCH 500*	HCH 600*	HCH 700*
A (mm)	2200	2200	2200	2200	2200
B (mm)	550	650	750	850	950
C (mm)	2500	2500	2500	2500	2500

Model	HCH 300*	HCH 400*	HCH 500*	HCH 600*	HCH 700*
Static load (kg)	500	600	700	650	1000
Dynamic load (kg)	813	975	1138	1381	1625
Bruto load (kg)	625	750	875	1063	1250
Max. feed capacity 10 mm cyclone (m ³ /h)	14	30	49	71	100
Max. feed capacity 15 mm cyclone (m ³ /h)	14	30	49	71	100

Spare parts

Mechanical seals



Cyclonette



Housing seals



O-rings



Pressure indicator

